



THERMAL
SMART SOLUTIONS
THE SECRET WEAPON TO REACHING 7 STARS



TABLE OF CONTENTS

02 Energy Efficient Homes are no Longer a Luxury, They're a Necessity

03 - 07 Bradnam's Thermal Smart Solutions

08 Architectural Symmetry Without Sacrificing Style

10 Product Availability

11 Highly Rated Energy Efficient Products

Images shown in this brochure are for illustration purposes only and may not accurately represent the product.

ENERGY EFFICIENT HOMES ARE NO LONGER A LUXURY, **THEY'RE A NECESSITY**

The mandated NatHERS 7 Star standards require every Australian home to be built for maximum energy efficiency.

A well-insulated home alone is no longer sufficient in meeting national building standards – each of your building materials need to be optimised for exceptional thermal performance, and windows and doors are a vital piece of the puzzle.

The secret weapon to reaching 7 Stars? Bradnam's range of Smart Solutions.

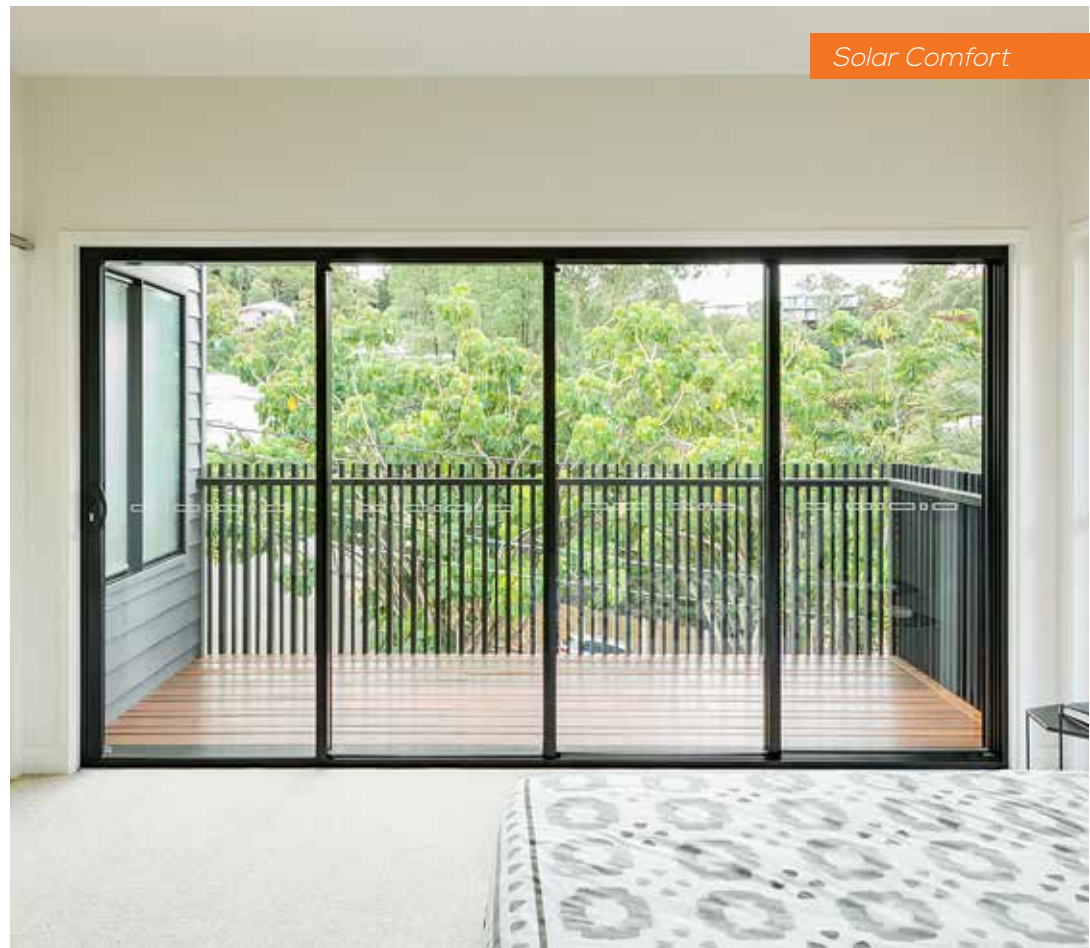
Expertly designed to provide higher levels of resistance to heat transfer, Bradnam's energy efficient range enhances thermal insulation through high-performance frames, seals, and glass.

Bradnam's Smart Solutions work to shield the home from the elements – reducing the reliance on artificial heating and cooling for year-round comfort, while helping you reach that 7th Star.

Solar Block



Solar Comfort



Double Glazed

Thermal Break



Reinforced Polyamide Extrusions
Significantly Reduce Heat Transfer



High Performance Seals
Create a Thermal Barrier



Two Panes of
Glass For Double
the Insulation



Hermetically Sealed
Argon Gas Filled
Space Provides
Effective Insulation



Warm Edge
Spacer Reduces
Heat Transfer

Reinforced Polyamide
Extrusions Significantly
Reduce Heat Transfer



THERMAL BREAK

Setting the standard for energy efficiency – **Thermal Break** harnesses cutting-edge technology to create a crucial barrier between the interior and exterior surfaces of windows and doors, instantly enhancing the insulation of the home.

The Thermal Break system utilises reinforced polyamide extrusions and double glazing to separate the exterior and interior of the aluminium door or window.

Together, they act as insulated barriers – minimising heat transfer to keep warm air inside during Winter, and outside during Summer.

Compared to ordinary windows and doors, **Thermal Break** can reduce up to **27%** in energy costs.

DOUBLE GLAZED

Double Glazed Products are fabricated to reduce warmth lost during Winter and prevent unwanted heat gain in Summer – helping homes remain consistently comfortable.

Products feature an advanced warm edge spacer made of extruded silicone foam, delivering exceptional thermal performance, and long-term durability.

Double Glazed Products are available in a variety of glazing options, products, and configurations to suit every home.

Compared to ordinary windows and doors, **Double Glazed** products can reduce up to **23%** in energy costs.



High Performance Seals
Create a Thermal Barrier



Two Panes of Glass for
Double the Insulation



Hermetically Sealed Argon
Gas Filled Space Provides
Effective Insulation



Warm Edge Spacer
Reduces Heat Transfer



SOLAR COMFORT

Solar Comfort™ is a cost-effective solution that adds an extra layer of protection against the elements, ensuring a pleasant temperature all year long.

Integrating Low-E (Emissivity) glass and high-quality seals, these selections reduce radiative heat transfer and prevent leakage between the glass pane and aluminium frame, resulting in a strengthened insulating system.

Compared to standard windows and doors, **Solar Comfort™** can eliminate:

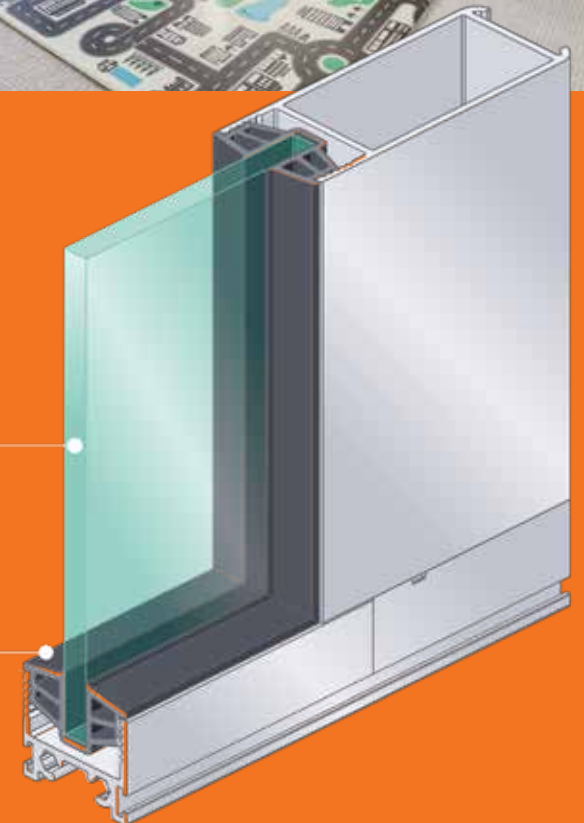
Up to 40% of heat loss

Up to 50% of heat gain



Low Emissivity
Glass Minimise
Heat entering and
Leaving the Home

High Performance
Seals Create a
Thermal Barrier



SOLAR BLOCK

Solar Block™ makes reducing the heat and glare of the harsh Australian sun for a serene living environment effortless—almost like your home's own pair of sunglasses.

Equally stylish and functional, the tinted panes of Solar Block prevent temperatures from soaring within the home – reducing the need for air conditioning and keeping the home cool and comfortable during Summer.

Compared to ordinary windows and doors, **Solar Block™** can provide:

Up to 46% reduction in heat gain

Up to 78% reduction in glare



Grey / Dark Grey
Tinted Glass
Reduces Glare

High Performance
Seals Create a
Thermal Barrier



ARCHITECTURAL SYMMETRY WITHOUT SACRIFICING STYLE

Bradnam's extensive and versatile catalogue ensures that there is an energy efficient solution to suit every aesthetic preference and lifestyle.

Each product within the range offers complete architectural symmetry – allowing each unique space to be fitted with curated design and functionality requirements. Customisable configurations mean that Thermal Smart Solutions can be mixed and matched to your heart's content.

Select Bradnam's products are also available in bespoke sizing, meaning that residents can relish in an expansive view and with plentiful natural light while remaining cool and comfortable year-round.





PRODUCT AVAILABILITY

Thermal Smart Solutions are available across the entire Bradnam's catalogue:

WINDOWS

DOORS

	Awning	Bi-Fold	Casement	Double Hung	Fixed	Louvre	Sliding	Bi-Fold	Hinged	Pivot	Sliding
Solar Block	✓	✓	✓	✓	✓	✓	✓	✓	✓	✓	✓
Solar Comfort	✓	✓	✓	✓	✓	✓	✓	✓	✓	✓	✓
Double Glazed	✓	✓	✓	✓	✓	✗	✓	✓	✓	✓	✓
Thermal Break	✓	✗	✓	✗	✓	✗	✓	✗	✓	✗	✓

HIGHLY RATED ENERGY EFFICIENT PRODUCTS

When measuring the energy efficiency of Thermal Break and Double Glazed products, the proof is undeniable.

Compliant with WERS

The Window Energy Rating Scheme (**WERS**) assesses the energy efficiency of the entire product – not just the glass. This enables windows and doors to be rated and labelled for their annual energy impact on a whole house in any given climate of Australia.

All Bradnam's windows and doors are WERS-compliant.

THERMAL BREAK

Product	Glass Specification	U-Value	SHGC
Essential Fixed Window EXT TB 52mm	Double Glazed Low-E	1.5	0.57
Signature Hinged Door TB 100mm	Double Glazed Low-E	1.9	0.39
Essential Awning Window TB 52mm	Double Glazed Low-E	2.0	0.39
Signature Sliding Door TB 100mm	Double Glazed Low-E	2.1	0.47
Signature Sliding Window TB 100mm	Double Glazed Low-E	2.3	0.38

DOUBLE GLAZED

Product	Glass Specification	U-Value	SHGC
Essential Fixed Window EXT 52mm	Double Glazed Low-E	1.9	0.48
Signature Sliding Door 100mm	Double Glazed Low-E	2.3	0.47
Essential Sliding Window 67mm	Double Glazed Low-E	2.7	0.45

WHEN IT COMES TO 7-STAR HOMES, WE'RE READY.

Visit our website for more information
and free resources on achieving 7 stars.
We are here to help.

VISIT US ON SOCIAL MEDIA:

 @bradnamswindowsdoors

 @bradnams

 @bradnamswindowsdoors

 Bradnam's Windows & Doors

 @bradnamswindowsanddoors

 @bradnamswindowsdoors

Australian Owned & Made

Bradnam's products are proudly made in Australia and designed specifically to meet all Australian conditions.

Product availability, features, options, sizes, configurations and performance are subject to regional variations, design requirements and building codes. Images are for illustration purposes only and may not accurately represent the product. Bradnam's Windows & Doors reserves the right to change, alter or delete any aspect of this product without notice.

